

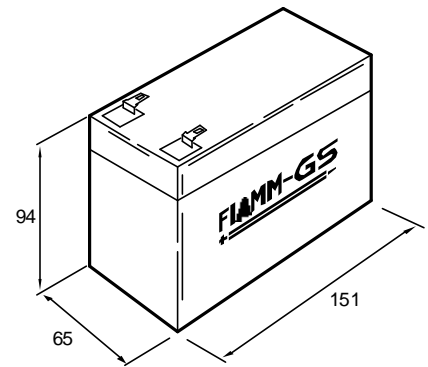
TECHNICAL DATA SHEET OF FG 20721 / FG 20722

FIAMM-GS

Performance Specification for battery type FG 20721 / FG 20722

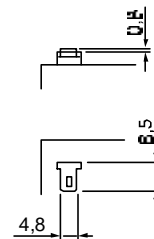
Nominal Voltage	12 Volts
Nominal Capacity	
	at 20 hour rate (360 mA to 10,5 Volts) _____ 7,2 Ah
	at 10 hour rate (650 mA to 10,5 Volts) _____ 6,5 Ah
	at 5 hour rate (1,18 A to 10,2 Volts) _____ 5,9 Ah
	at 1 hour rate (4,2 A to 9,0 Volts) _____ 4,2 Ah
Dimension (mm)	Length=151, Width=65, Height=94
Approximate weight	2,65 kg
Energy Density	93,6 Wh/l
Specific Energy	32,48 Wh/kg
Internal Resistance (Fully charged battery)	22 m Ω
Maximum discharge current in 1 minute discharge	43,2 A
Maximum discharge current in 5 seconds discharge	72 A
Recommended charging tension (temperature=20°C)	
	floating use:13,5-13,8 V _____ cyclic use:14,4-15,0 V
Thermal compensation factor	
	floating use: -18mV/°C _____ cyclic use: -30mV/°C
Maximum charging current	2,16 A
Terminals	For FG 20721: Flat lug type 4,8 mm
	For FG 20722: Flat lug type 6,3 mm
Vibration Test (2000 cycles/minute, 2,55 mm excursion, 2 hours)	No loss in capacity or performance
Shelf life - % of nominal capacity at 20°C	
	1 month _____ 97%
	3 months _____ 91%
	6 months _____ 83%
Storage temperature	-20°C to 40°C
Operative temperature Range	
	Charge _____ 0° C to 40°C
	Discharge _____ -20°C to 50°C
Case material	Acrylonitrile-Butadiene-Styrene
	Standard Case: According to UL-94 HB
	Also Available: According to UL-94 V0
Life expectancy (Stand-by)	3 to 5 years according Eurobat standards

Battery dimensions (mm)

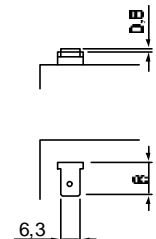


Terminal type

FG20721



FG20722



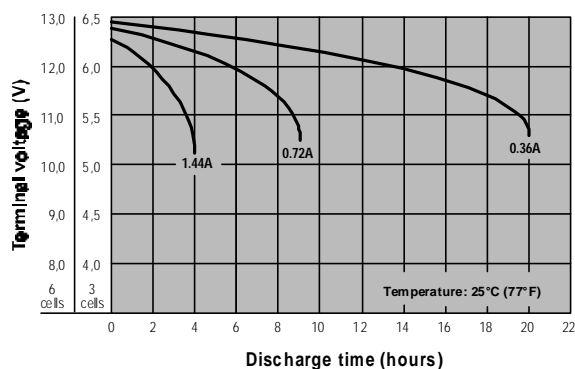
Constant Power Discharge Table (Watt)

Time	5'	10'	15'	20'	30'	45'	1h	2h	3h	5h	10h	20h
1,8V/Cell	33,4	25,8	21,5	18,6	14,1	10,3	8,46	4,70	3,41	2,24	1,30	0,71
1,75V/Cell	36,7	27,6	22,7	18,8	14,2	10,4	8,59	4,87	3,54	2,33	1,30	0,71
1,7V/Cell	39,2	29,8	23,7	19,7	14,8	10,6	8,73	5,00	3,65	2,39	1,31	0,71
1,65V/Cell	41,0	30,9	24,1	20,0	14,9	10,7	8,78	5,06	3,68	2,45	1,31	0,72
1,6V/Cell	43,7	32,0	24,5	20,3	15,0	10,8	8,85	5,15	3,74	2,49	1,32	0,73

Constant Current Discharge Table (Ampere)

Time	5'	10'	15'	20'	30'	45'	1h	2h	3h	5h	10h	20h
1,8V/Cell	21,7	15,8	11,2	9,68	7,14	5,57	4,36	2,48	1,75	1,13	0,66	0,35
1,75V/Cell	23,0	16,7	11,9	10,1	7,50	5,75	4,43	2,53	1,81	1,19	0,67	0,36
1,7V/Cell	24,9	17,6	13,4	10,5	7,78	5,80	4,57	2,58	1,83	1,21	0,69	0,37
1,65V/Cell	25,9	18,0	13,8	10,8	7,85	5,88	4,71	2,64	1,86	1,24	0,70	0,37
1,6V/Cell	27,1	18,4	14,0	11,0	8,21	5,98	4,78	2,68	1,92	1,27	0,72	0,38

Discharge time vs. discharge current



Discharge time vs. discharge current

