



CTL 70-12s

Datasheet

Innovative Features

- Completely maintenance free, sealed construction eliminates the need for watering
- Fully tank formed plates
- Analytical Grade electrolyte
- Spill proof / leak proof
- Valve regulated Max internal pressure 2.5 psi
- Multi-position usage
- ABS Case and cover - V0 on request
- Low self discharge
- FAA and IATA approved as non-hazardous
- Built to comply with IEC 896-2, DIN 43534, BS 6290 Pt4, Eurobat.



Specifications

Nominal Voltage	12 Volts
Nominal Capacity	70Ah (C20 @ 20 °C)
Design Life	12 Years
Operating Temperature	-20 °C to 50 °C
Grid alloy	Calcium / Tin lead alloy
Plates	Flat Pasted
Separator	Absorbant Glass Mat
Active material	Very high purity lead
Case and cover	ABS (V0 on request)
Charge Voltage	Float 2.25 - 2.30 VPC @25 °C Cycling 2.35 @25 °C Max. 2.4 VPC Max ripple 0.05C (A)
Electrolyte	Sulphuric acid Analytical grade purity
Venting Valve	EPDM Rubber 1.5 to 2 psi (10.5 - 14 KPa) release pressure. Resealing at 1 psi (7 KPa)
Terminal	Insert 12mm Dia M5 thread. Epoxy sealed by extended mechanical paths
Torque setting	The recommended torque value for all types is 5-7 Nm
Cables	Connectors, cables, terminal covers on request.



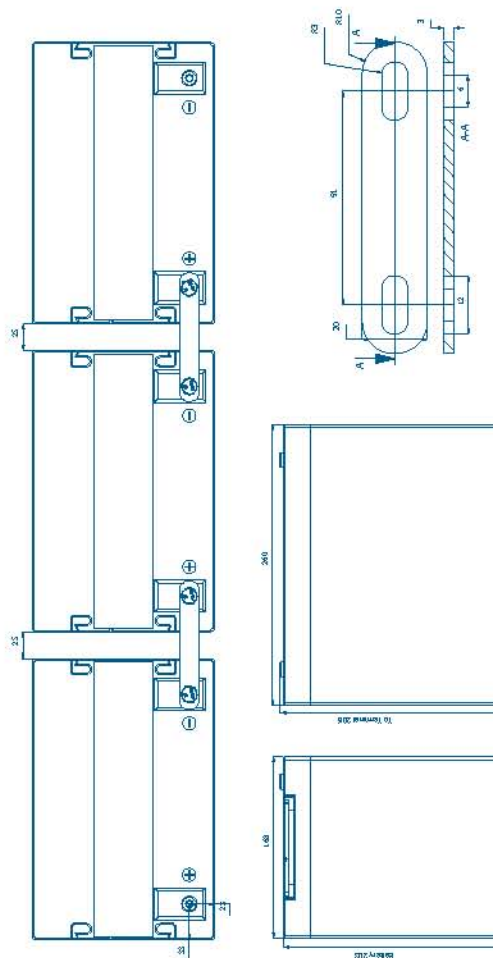
CTM GmbH keenly encourages environmental awareness; PLEASE follow guidelines for recycling/disposal of lead

Specifications

	Nominal Voltage	12V	
	Nominal Capacity	70 Ah	
Dimensions	Total Height	208 mm	8.19 inches
	(Inc. terminals)	n/a mm	n/a inches
	Length	259 mm	10.20 inches
	Width	168 mm	6.61 inches
	Weight	23.7 Kg	52.38 lbs

Characteristics

Capacity 20 °C (68 °F) To 1,7 volts	20 hour rate	67.7 Ah
	10 hour rate	59.2 Ah
	5 hour rate	53.5 Ah
	1 hour rate	47.8 Ah
	15 min rate	34.8 Ah
	Internal Resistance	5 mOhms
Capacity corrections for Temperature Variations (C20)	40 °C (104 °F)	102%
	20 °C (68 °F)	100%
	0 °C (32 °F)	85%
	-15 °C (5 °F)	65%
Self-Discharge 20 °C (68 °F)	Capacity after 1 months storage	98%
	Capacity after 3 months storage	94%
	Capacity after 6 months storage	86%
Short Circuit Current 20 °C (68 °F)	2400	
Terminal	Standard	14mm Insert M6 thread
	Optional	Qi/Lead Flag - J Type - Auto
Charging (Constant Voltage)	Cyclic	2.35 - 2.40 VPC (20-25 °C)
	Float	2.27 - 2.30 VPC (15-25 °C)



Constant Power Discharge - Watts per Cell @ 20 °C

End V per Cell	5M	10M	15M	20M	25M	30M	35M	40M	45M	60M	90M	2hr	3hr	4hr
1.85	312	251	209	179	154	137	124	114	106	88.0	61.7	47.0	32.1	24.5
1.80	342	284	230	190	161	142	128	117	110	88.2	61.6	47.3	32.6	24.9
1.75	360	303	245	199	170	148	132	121	112	89.4	62.4	47.6	32.8	24.9
1.70	378	321	253	207	174	152	135	122	113	90.4	63.2	48.2	33.1	25.3
1.65	391	331	263	213	179	153	136	123	114	91.4	63.8	48.6	33.2	-
1.60	410	340	270	216	182	156	138	126	116	92.2	64.5	49.2	33.3	-

Constant Amps Discharge - Amps @ 20 °C

End V per Cell	5M	10M	15M	20M	25M	30M	35M	40M	45M	60M	90M	2hr	3hr	4hr	5hr	8hr	10hr	12hr	20hr
1.85	168	134	111	95.2	81.8	72.6	65.3	59.9	55.6	45.9	32.0	24.3	16.4	12.5	10.2	6.80	5.64	4.82	3.21
1.80	187	154	124	102	86.1	76.0	68.1	62.0	58.1	46.3	32.1	24.6	16.8	12.8	10.4	6.90	5.72	4.92	3.27
1.75	199	166	134	108	91.5	79.2	70.6	64.5	59.4	47.1	32.7	24.8	17.0	12.8	10.5	6.96	5.75	4.97	3.31
1.70	210	178	139	113	94.5	82.2	72.6	65.3	60.2	47.8	33.1	25.2	17.1	13.1	10.7	7.13	5.92	5.09	3.38
1.65	219	184	145	117	97.3	82.9	73.3	66.0	60.9	48.4	33.5	25.4	17.2	-	-	-	-	-	-
1.60	230	190	149	119	99.3	84.8	74.7	67.5	62.0	48.9	33.9	25.7	17.3	-	-	-	-	-	-

Ampere Hour @ 20 °C

End V per Cell	2hr	3hr	4hr	5hr	8hr	10hr	12hr	20hr
1.85	48.5	49.3	50.0	50.9	54.4	56.4	57.8	64.2
1.80	49.1	50.4	51.0	52.2	55.2	57.2	59.0	65.4
1.75	49.5	50.9	51.3	52.5	55.7	57.5	59.6	66.1
1.70	50.3	51.4	52.2	53.5	57.0	59.2	61.1	67.7
1.65	50.8	51.7	-	-	-	-	-	-
1.60	51.4	52.0	-	-	-	-	-	-